

60W Constant Voltage Slim-US Series

US-60-XX LI1



■ Approve



■ Features

- Class II, SELV, independent
- Input Voltage 220-240VAC
- Protections: SCP/OLP/OTP
- Power Factor > 0.95
- Efficiency ≥ 87%
- 5 years warranty

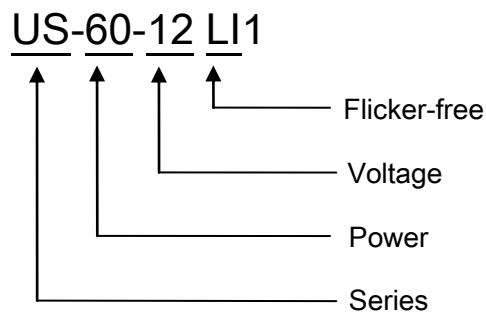
■ Applications

- LED strips
- kitchen light
- bathroom light

■ Description

US-60-XX LI1 is a 60W constant voltage LED driver that operates from 198-264Vac input with 12V or 24V output voltage. With its slim dimensions from 329 x 30x 17mm it is easy to integrate in LED strips, kitchen light and bathroom light products. To ensure trouble-free operation, protection is provided against output short circuit, over Load and over temperature.

■ Model code



60W Constant Voltage Slim-US Series

US-60-XX LI1

■ Specification

Input	Rated input voltage	220-240VAC		
	Range of input voltage	198-264VAC		
	Range of input voltage(VDC)	176-250VDC		
	Frequency(Hz)	0/50/60 Hz		
	Power Factor	> 0.95@Full load, 230VAC		
	Input Current max	0.46A MAX. @Full Load,198VAC		
	Start-up time	< 0.5S		
	Unload Power Consumption	≤0.5W		
	Inrush Current	50A Max. @ Full Load, 230VAC		
	THD	< 8% Typ. @full load, 230VAC		
	Leakage Current	< 0.7mA(240VAC)		
Output	Constant Voltage	12VDC	24VDC	
	Current Range	0-5A	0-2.5A	
	Rated power	60W Max.		
	Voltage Accuracy	±5%		
	Voltage Regulation	±1% @Full Load		
	Load Regulation	±2%		
	Hold-up Time	≥5ms/230VAC @ full load		
	Ripple& Noise *Note.2	≤±2%@Full Load,230VAC		
	Output LF current ripple(<120Hz)	≤±1%		
	Efficiency(Typ.)	≥87%@Full Load,230VAC	≥89%@Full Load,230VAC	
Protection	Over Load Protection	105-150% Protection type: Auto Resume		
	Short circuit Protection	Protection type: Auto Resume		
	Over Temperature protection	Protection type: Auto Resume after restart		
Environment	Operating Temperature	-20°C...+45°C		
	tc	90°C		
	Storage Temperature	-40°C...+60°C		
	Life time	> 50,000h@Full Load , 230V, ta=40°C	> 50,000h@Full Load , 230V, ta=45°C	
	Temperature coefficient	±0.03%/°C(0-45°C)		
	Humidity	20%-90%RH		
Others	Dimension	329X30X17(LXWXH)mm		
Safety & EMC	Safety standards	EN 61347-1; EN61347-2-13; EN62493; EN62384		
	Withstand voltage	Input-Output : 3750V/5mA/1min		
	Isolation resistance	Input-Output : ≥4MΩ@500VDC		
	EMI	EN55015; EN61000-3-2 Class C; EN61000-3-3		
	EMS	EN 61547; EN 61000-4-2; EN 61000-4-5 —1000V;		
Note	1.All parameters NOT specially mentioned are measured at 230VAC input , full load and 25°C of ambient temperature. 2.Ripple & Noise are measured at 20MHz of bandwidth by using a 300mm twisted pair-wire terminated with a 0.1uF & 47 uF parallel capacitor.			

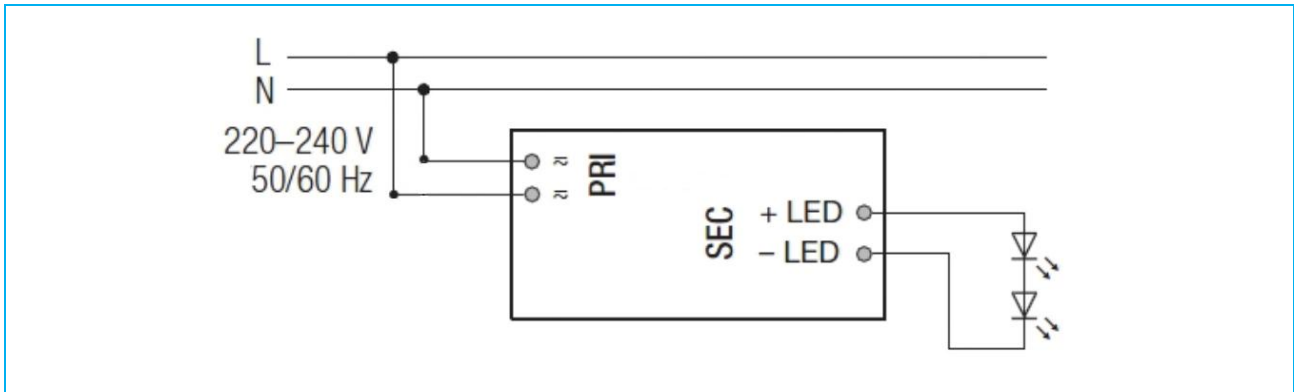
60W Constant Voltage Slim-US Series

US-60-XX LI1

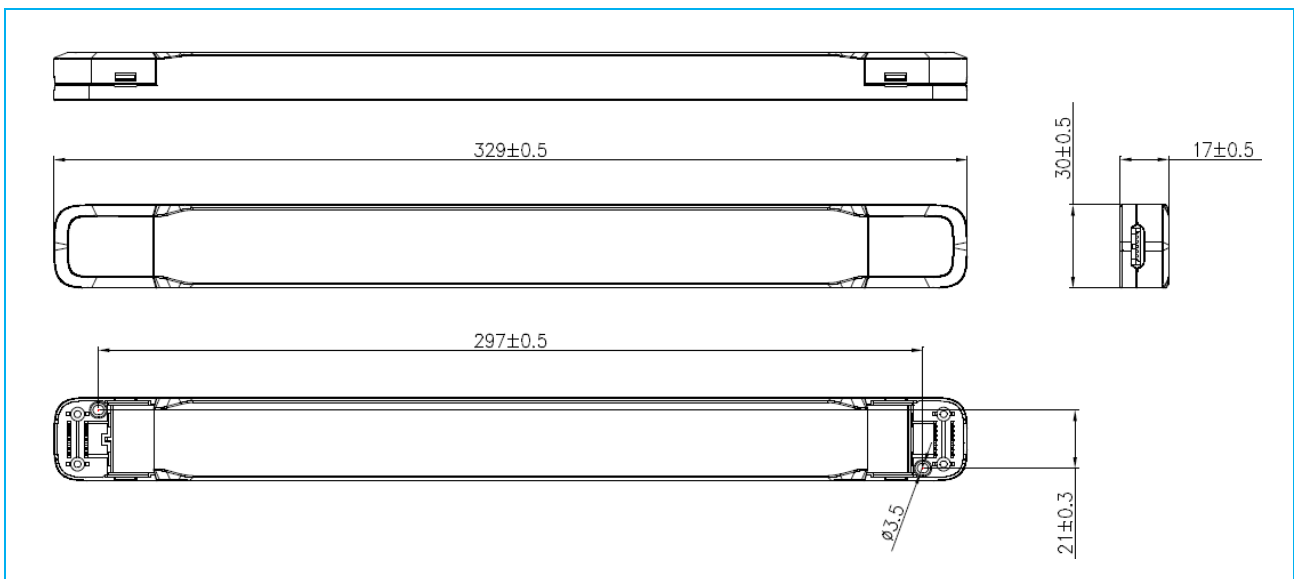
Model list

No.	Model number	Input			Output		
		Voltage (VAC)	Current (A)	Frequency (Hz)	Constant voltage (VDC)	Normal working current (A)	P _{rated} (W)
1	US-60-12 LI1	220-240	0.46	50/60	12	0-5	60
2	US-60-24 LI1	220-240	0.46	50/60	24	0-2.5	60

Wiring diagram



2D diagram



60W Constant Voltage Slim-US Series

US-60-XX LI1

■ Operating window

